

ST-0P roller blind control unit

Instructions for installation and use

Safety guidelines

Basic guidelines

The ST-0P controller can be safely installed and used provided all of the following instructions of installation and use as well as obligatory health and safety regulations are adhered to.

The installation and repairing of electrical equipment should be carried out only by persons with appropriate legal qualifications. Reconstructing or making changes to the ST-0P controller is forbidden. During the guarantee period repairs only the manufacturer may carry out repairs. Even after the guarantee period has expired only original parts and accessories may be used.

The guarantee is only valid when the ST-0P controller has been used in accordance with the manufacturer's instructions. The boundary values given in the technical specifications must NOT be exceeded under any circumstances.

Supplementary safety regulations

When installing, using or carrying out maintenance work all binding health and safety regulations should be followed. Particular attention should be paid to the following:

1. European Standards
2. Fire regulations
3. Accident avoidance regulations



GENERAL COMMENTS REGARDING HAZARDS AND SAFETY PRECAUTIONS



The following comments serve as general guidelines to the application of INEL drivers with other devices. These guidelines must always be adhered to when installing and operating these devices



Warning – this signal warns of possible damage to the control system or other equipment if appropriate safety measures are not taken.

- Before installing the control system and setting the end switches check all bolt connections are properly fastened.

Danger – this signal indicates danger to the user's life and health if appropriate safety measures are not taken.

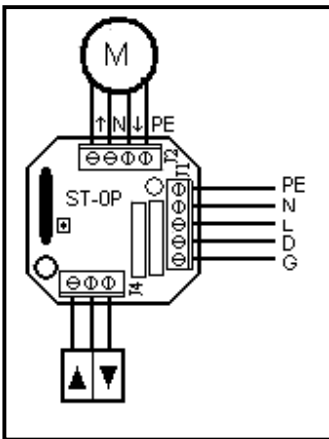
- Follow all health and safety regulations relevant to the equipment (e.g. gates, roller blinds) used.
- When changing fuses the equipment must be first disconnected from the mains, the fuses changed and only then may the equipment be reconnected to the mains.
- the ST-0P controller should be installed in accordance with appropriate safety regulations and with appropriate safety devices.
- INEL equipment connected to the mains beyond a building's safety fuse system needs to be installed with its own safe disconnecting devices (e.g. safety fuses and safety switches) in such a way so as to ensure that all the units may be easily and safely cut off from the mains.
- Electric wiring and cables should be regularly checked to ensure the insulation is intact and there are no breaks in the wire.
- If any damage to the wiring is found, the unit should be immediately disconnected from the mains and the damaged wiring replaced.
- Before connecting any equipment, one should first make sure that it is adapted to be used with the local voltage in the mains.

PERSONAL SAFETY WARNING

- Do not allow children to play with any of the control devices.
- Keep all remote control devices out of the reach of children.
- Observe the opening or shutting of the blinds, shutters, awnings or gates and ensure all persons stand clear until the operation is completed.
- Control system operators need to undergo preliminary instruction and training and also be made aware of all the potential dangers that can be encountered. A person should only be authorised to use the control system only once the employer, administrator or owner is satisfied that that person has been properly instructed.

ST-0P controllers can be used to control roller shutters and roller blinds (ST-0PZ version). For flush-mounting in a double depth back box. All controllers feature stand-by function, i.e. short press of any key on the manual switch will activate an open/close cycle of the roller shutter (factory set voltage supply time is 100 s.). The function is available for a switch connected to “MANUAL” terminal only. For bus control, the voltage supply time corresponds to the time the signal is fed to the bus. A group of ST-0P controllers can be controlled by any roller shutter controller available on the market.

Wiring diagram - ST-0P controller



1. Connect the roller blind switch to J4 terminal strip with 3 terminals:

- Terminal 1 to UP key
- Terminal 2 to common
- Terminal 3 to DOWN key.

2. Connect the motor to J2 terminal strip with 4 terminals:

- Terminal 1 to UP conductor
- Terminal 2 to common conductor
- Terminal 3 to DOWN conductor
- Terminal 4 to protective conductor

3. Connect the following to J1 terminal strip with 5 terminals:

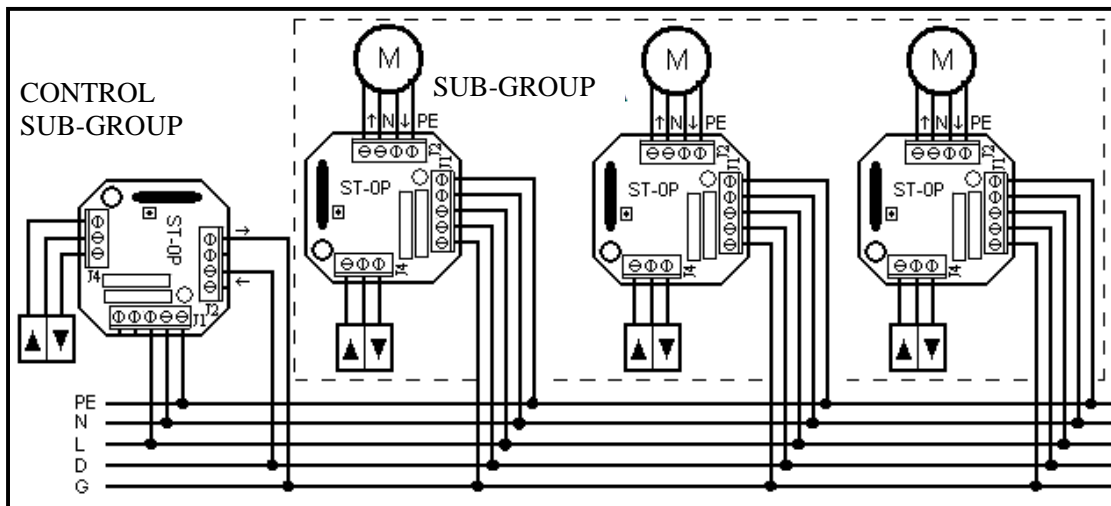
- Terminal 5 to UP control voltage
- Terminal 4 to DOWN control voltage
- Terminal 3 to L1 conductor (230V supply voltage)
- Terminal 2 to N conductor (230V supply voltage)
- Terminal 1 to PE protective conductor (230V supply voltage)

Connecting ST-0P controllers in a sub-group

To create a sub-group of ST-05 controllers, all controllers must be connected to a 5 terminal bus, motors and manual switches.

Connecting ST-0P controller to a sub-group

The sub-group can be controlled with a single manual switch, provided that an additional controller, that does not control the motor and controls other controllers via a bus is installed. The additional controller is connected differently than the other controllers. Connect L1, N and PE conductor to the terminals. Connect UP and DOWN motor winding control outputs to G and D bus conductors.



Roller blind control (version ST-0PZ)

Press the manual UP or DOWN switch for approx. 1 second, the roller blind will open or close until the motor is deactivated by one of the limit switches. Select DOWN to close the roller blind with the slats closed. Hold the manual switch for 1 second to adjust the slats - the slat position can be adjusted stepwise in both directions until fully closed.